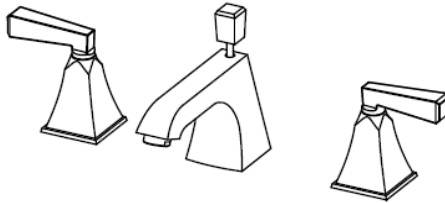


Three-hole Basin Faucet AF1910-6 Installation Manual

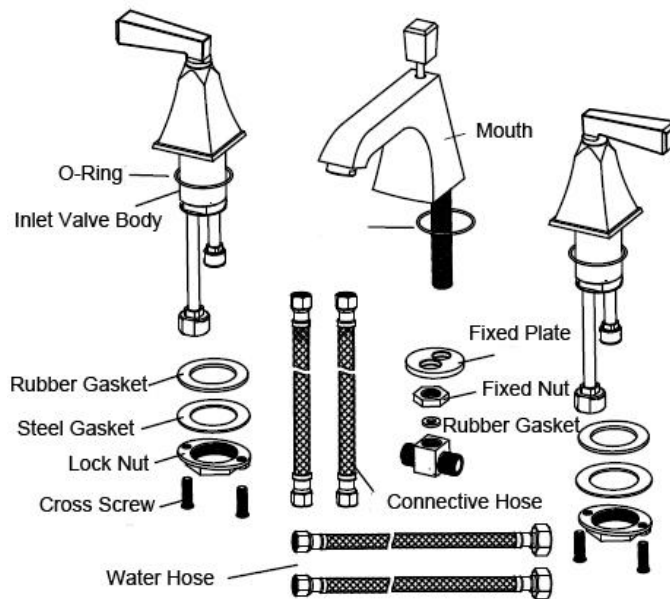
1. The Technical Requirements



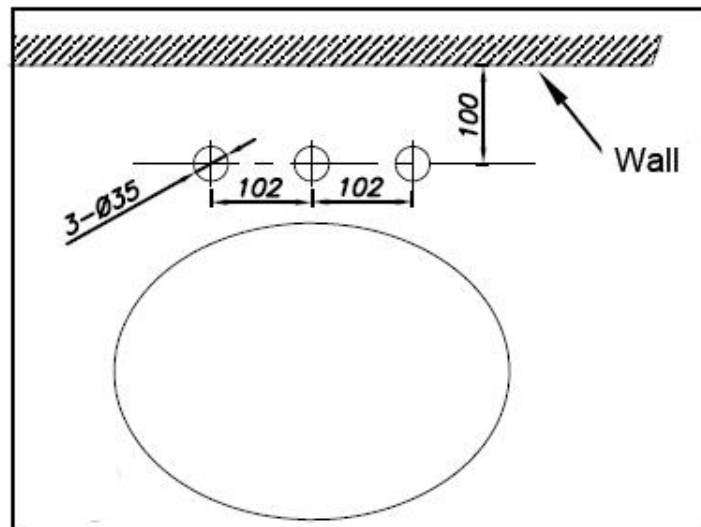
- (1) Pressure of supply water: 20 psi -125 psi. When pressure is greater than 125 psi, you need to install pressure reducing valve.
- (2) Temperature of supply water: $5^{\circ}\text{C} < t < 71^{\circ}\text{C}$
- (3) Please clean the water supply pipe before installing faucet because sediment will damage the cartridge.

Attention

- (1) Please check the full accessories first. If there are any missing parts, please contact us.

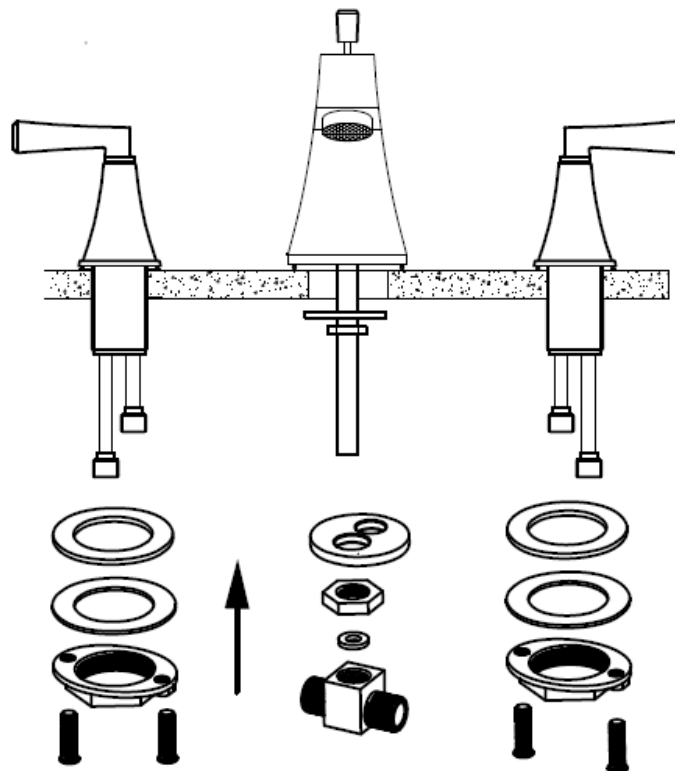


(2) Suggested basin hole size as per drawing :

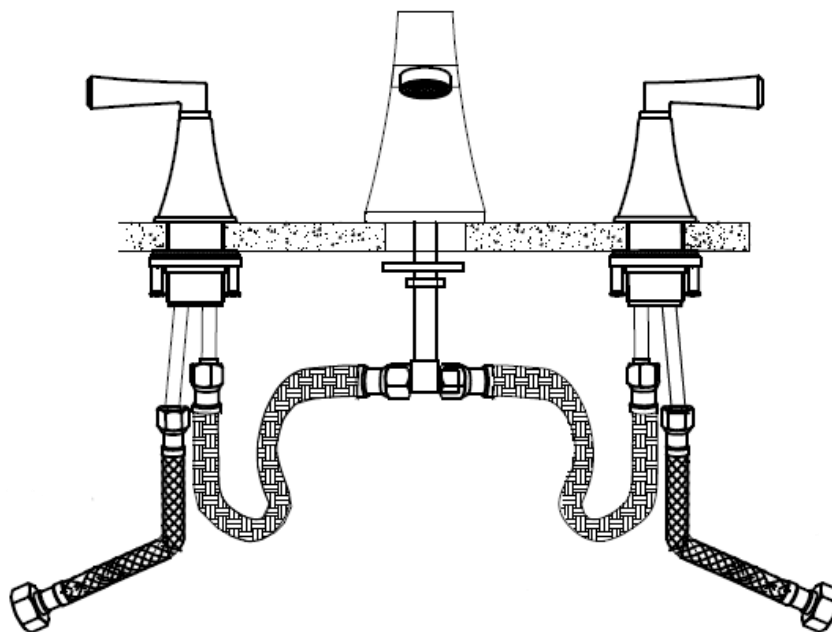


2. Installation Instruction

(1) Attach O-rings onto the handle tower install onto the pre-opened hole. Then put rubber gasket, steel gasket onto the stem and screw and tighten the fixing nut.



- (2) Install the water spout tower by same procedure, install the T-joint and tighten up. Then install pull-out waste and adjust direction of valve and water spout tower. Please find completed installation drawing as below.



3. Care Instruction

- (1) Please pay attention to direction of switch. Excessive strength will result in losing valve.
- (2) Please wipe faucet with soft rag. Do not use strong acid and strong alkaline detergent in order to avoid damage to the surface finish.
- (3) If you discover water flow rate is insufficient or there is no water out, please check whether the hot and cold water pressure is normal. If it is normal, please shut off faucet and remove aerator of water mouth to check whether it is plugged by sediment. The faucet can be used normally after cleaning. When this method is not workable, please unscrew the water hose

connection to check whether the pipe is blocked. The faucet can be used as normal after dredging. If it is still invalid, please call professional maintenance worker to repair the faucet.

