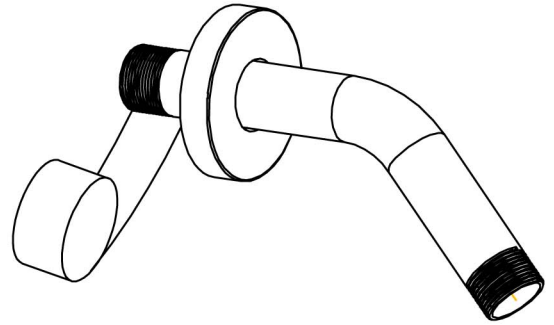
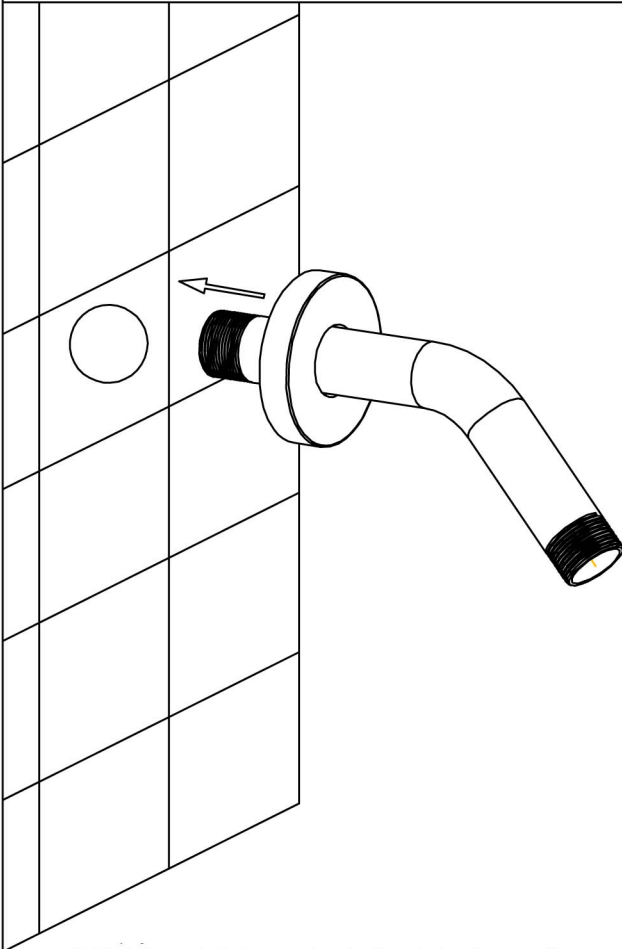


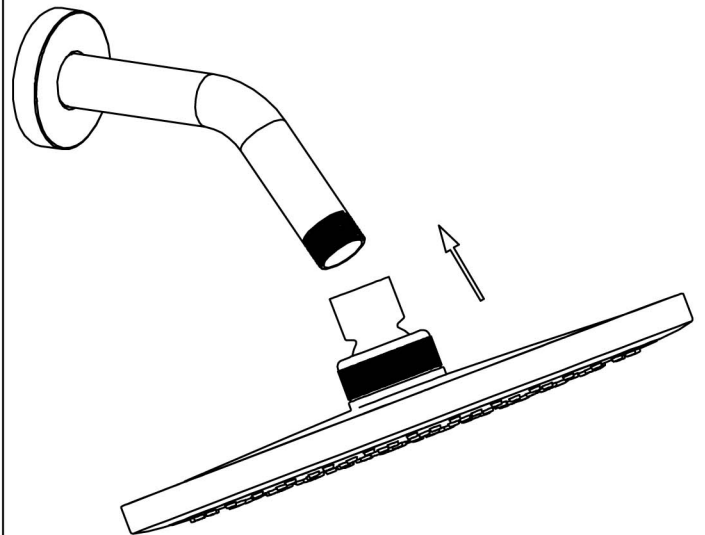
1: Put the decoration ring into the stainless steel pipe



2. Put the crude material cingulum around the stainless steel pipe



3.Put the stainless steel pipe into the wall



4.Fixed the top shower on the stainless steel pipe