

Assembly & Installation Instructions

CAUTION: Read instructions carefully and turn electricity off at main circuit breaker panel before beginning installation.

WARNING - If any Special Control Devices are used with this Fixture, Follow the Instructions Carefully to assure full compliance with N.E.C. requirements. If there are any questions, contact a Qualified Electrical Contractor.

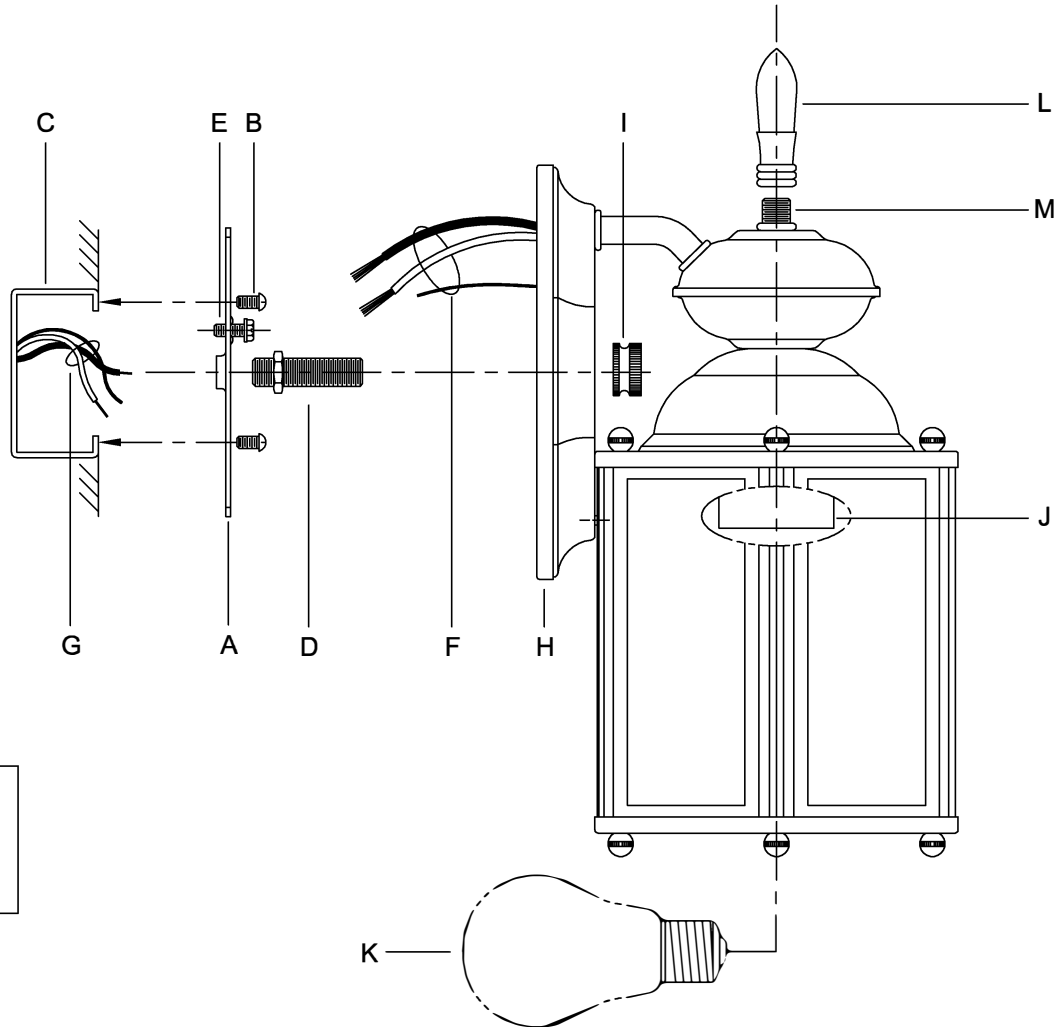
WARNING - To comply with the National Electric Code and Underwriters Laboratories requirements, the edge of the wall plate coming in contact with the mounting surface must be sealed with a latex waterproof caulking to prevent water from entering the outlet box.

CAUTION - All glass is fragile, use care when handling Glass component(s) and or Lamp(s).

WARNING - This product contains chemicals known to the State of California to cause cancer, birth defects and /or other reproductive harm. Thoroughly wash hands after installing, handling, cleaning, or otherwise touching this product.

ASSEMBLY STEPS:
PASOS PARA ENSAMBLAR:
MODE D'ASSEMBLAGE:

1. D,E → A
2. B,A → C
3. F → G
4. H,I → D
5. L → M
6. K → J



**B, C, G, & K
 (NOT FURNISHED)
 (NO INCLUIDA)
 (NON FOURNIE)**

